

# Adtron Flashpak® I35FB IDE Flash Solid State Disk Installation Manual

## Introduction

Congratulations on your purchase of the Adtron Flashpak® I35FB flash solid state disk (SSD) with the Adtron ArrayPro™ performance engine! The I35FB supports flash storage in an industry standard 3.5" form factor and is a drop-in replacement for standard rotating hard disk drives.

Adtron offers the I35FB Flashpak flash SSD in RoHS and non-RoHS compliant versions. To verify which version you have purchased, please check the label on the I35FB.

Visit [www.adtron.com/products](http://www.adtron.com/products) to view the complete line of Adtron SATA, SCSI and IDE flash disk drives.

<b>Indicators</b>	Orange/Green LED. Green indicates the media has successfully initialized. Orange indicates host access. An Orange LED, blinking in a definite pattern, indicates an internal error.
<b>Interface</b>	Standard 40-pin IDE interface. See the I35FB Product Specification for complete IDE interface details.
<b>Size</b>	101.6mm [4.0"]W x 146.1mm [5.75"]D Height: 14.8mm [.584"] to 27.63mm [1.088"] based on capacity
<b>Weight</b>	Based on capacity
<b>Power</b>	5V +/- 5% @ 2.0A (max)

Table 1 Specifications

## ESD Caution



Static electricity may be discharged through the I35FB. In extreme cases this may temporarily interrupt the operation or damage components. Touch a grounded device, such as a computer case, prior to handling the I35FB.

## Before installing the I35FB hardware

1. Turn off the computer in which you are installing the I35FB.
2. Make sure that you are properly grounded.
3. Set the master/slave jumpers and remote LED. See instructions below.

## Set the master/slave and remote LED jumpers

The master/slave and remote LED jumper is located on the front of the I35FB between the IDE and power connectors. Figure 1 shows the front view of the I35FB's 40-pin connector and the location of the jumpers. Refer to Table 2 for IDE jumper signals. Figure 1 also shows the valid jumper configurations for master, slave, and cable select. Grayed pins indicate jumpers on.

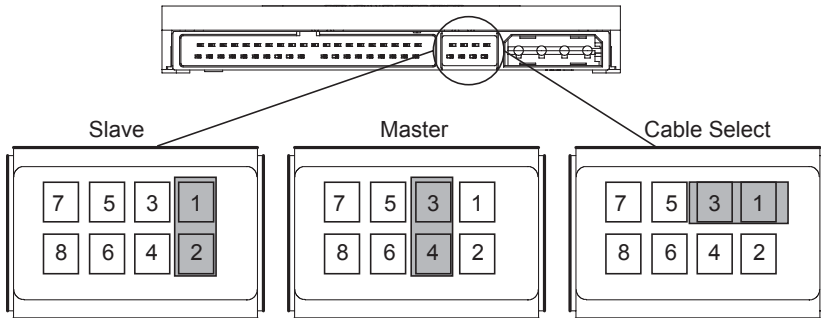


Figure 1 Setting Descriptions

Pin #	Signal
1	J_-SLAVE
2	Low (reserved)
3	J_-MASTER
4	Low (reserved)
5	-EXTLED
6	120 ohm RES to +3V
7	No Connect
8	No Connect

Table 2 Signals

## Remote LED

Pins 5 and 6 in Figure 1 are used for a remote-mounted LED. Pin 6 is connected to +3.3V through an internal 120 Ohm resistor.

## Installing the I35FB into a drive bay

The I35FB mounts into a standard 3.5" hard disk drive bay and may be mounted from the side or the bottom. **DO NOT** exceed the maximum insertion depth of 3.8 mm [.150"] from drive edge. Consider the length of screw used and thickness of the mounting surface. A common screw length of 3/16" is provided but may not be correct in all applications. Refer to Figure 2 for mounting hole locations.

## Using EraSure™ Data Security

Please contact Adtron Sales to request the Adtron EraSure™ Programmer's Guide for a complete reference of operational techniques and methods.

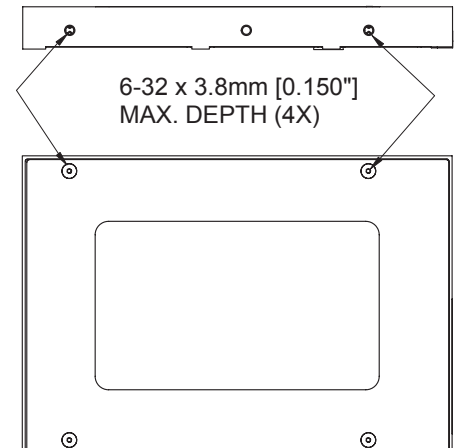


Figure 2 Mounting Holes

**Connecting the cables to the I35FB**

Using an 80-conductor cable (40-pin connector), connect the I35FB to the IDE controller. If the connector on the ribbon cable is not "keyed", the stripe of the cable should be nearest the power connector. Plug a power cable from the computer's power supply into the I35FB power connector. The I35FB does not require 12V.

**Installing an operating system**

The I35FB can be formatted like any standard hard disk drive – bootable for operating system function or not bootable. Any standard disk partitioning and formatting utility can be used. You can install any operating system you choose that is compatible with IDE devices. The method of installing a specific operating system can vary, so consult the operating system documentation for instructions.

**Troubleshooting**

The I35FB is simple to install and operate. Table 3 lists some common problems and possible solutions.

For more information, visit the Adtron web site at <http://www.adtron.com/support>, send email to [techsupport@adtron.com](mailto:techsupport@adtron.com), or contact technical support at 602-735-0300 in the U.S. or at +45-4557-0754 in Europe.

**Warranty**

Adtron warrants this product to be free from defects in materials and workmanship for the duration of the warranty period. If this product fails within the warranty period due to such a defect, Adtron will repair or replace this product at no charge.

This warranty does not apply if this product has been damaged by abuse, accident, disaster, misuse or incorrect installation. There are no user-serviceable components within the I35FB.

**Notice**

This manual describes the features of Adtron's I35FB. Adtron reserves the right to modify, amend, or in any way change the contents and/or products described herein, at any time, without notification.

The information contained in this document is provided for reference only. Adtron Corporation does not assume any liability arising out of the application or use of the products described herein. This document may contain or reference information or products protected by copyrights or patents and does not convey any license under the patent rights of Adtron Corporation, nor the rights of others.

Problem	Possible Solution
The I35FB is not recognized by the computer.	Check system BIOS for correct settings to IDE devices. Change any IDE settings not enabled. Check manufacturer's manual for information on BIOS settings.  Make sure the IDE cables are seated and in good condition.
The computer recognizes one drive, but not the other.	One drive must be master and the other one slave. Check the master/slave jumper settings on both drives.
When I turn on the computer, the I35FB's internal LED blinks orange in a definite pattern.	The I35FB has detected an internal problem. Note the blinking LED pattern and color. Collect the following information; system board, BIOS and operating system used, and contact Adtron Technical Support.

**Table 3 Troubleshooting**



**Adtron Corporation**

4415 E. Cotton Center Blvd.  
Phoenix, AZ 85040  
Tel: U.S. 602-735-0300  
Fax: U.S. 602-735-0359  
<http://www.adtron.com>

Copyright © 1998-2006 Adtron Corporation. All rights reserved.